



Unit Conversion



By Kru ชี

1 tonne = 1000 kilograms

1 kilogram = 1000 grams

Example

Convert in to grams

3 kg

0.5 kg

0.3 tonne

Example

Convert in to kilograms

3500 g

200 g

2 tonnes

Example

Karl is baking a loaf of bread and needs 0.8 kg of flour
He has 72 grams of flour.
How much more flour does Karl need?
Give your answer in grams.



1 kilometer = 10000 meters

1 metres = 100 centimeters

1 centimeter = 10 millimeters

Example

Convert in to kilometers

28000 m

20000 cm

5000000 mm

Example

Convert in to metres

800 cm

1.5 km

20000 mm

Example

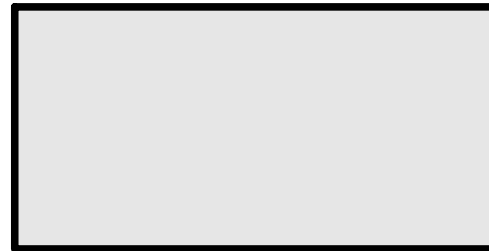
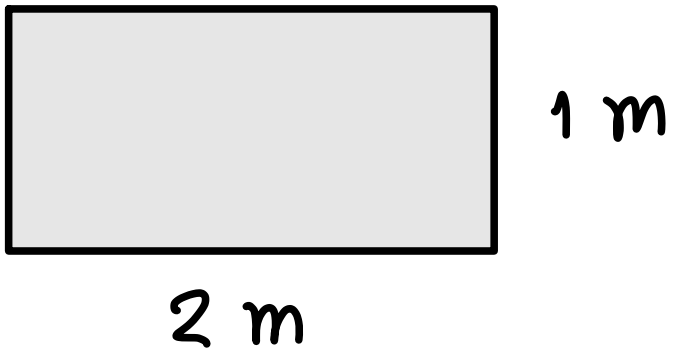
Convert in to centimeters

3 km

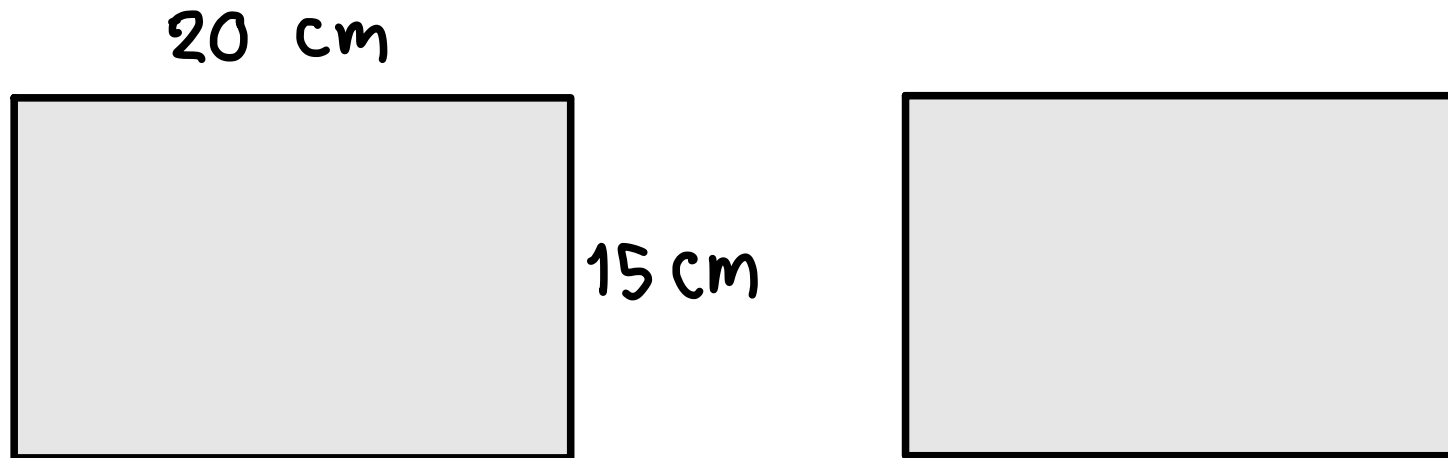
200 m

35 mm

Relation between length and area



Relation between length and area

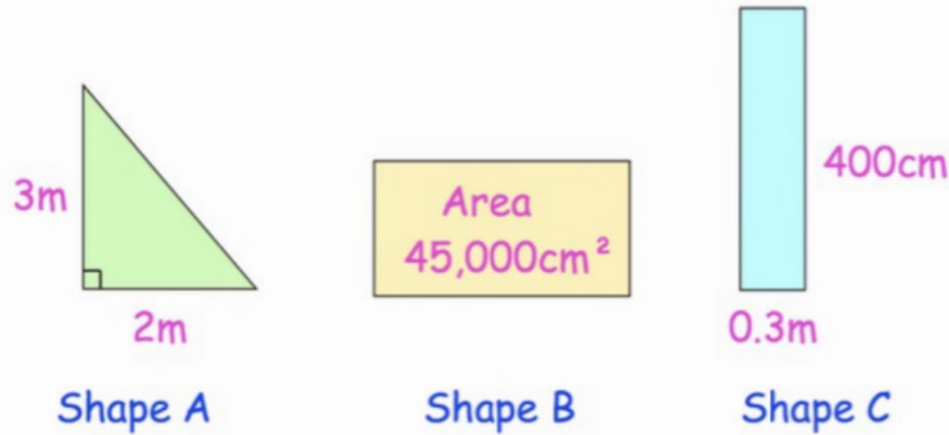


Note : convert between length and area

Example

Change $30\,000\text{ cm}^2$ to m^2 .

Example



List the shapes in order of area, from smallest to greatest.

1 litre = 1000 ml , 1000 cc , 1000 cm³

Example

Convert in to litre

6000 ml

200 ml

12000 ml



Example

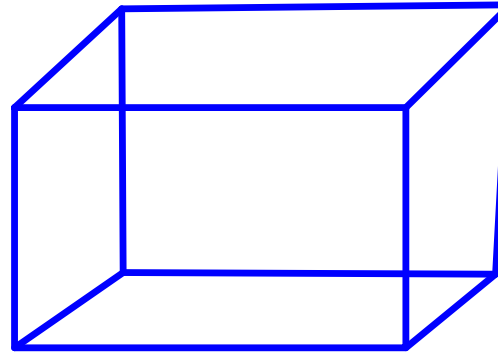
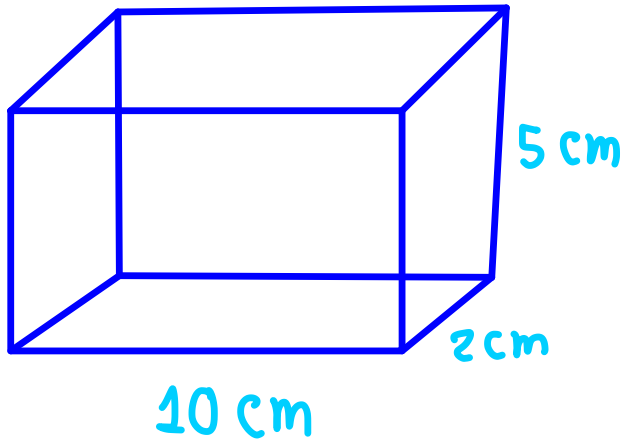
Convert in to millilitres

8 liters

200 litres

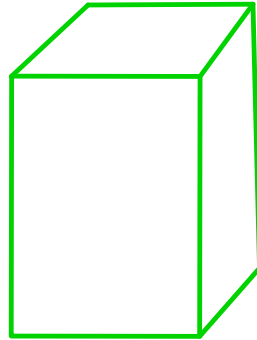
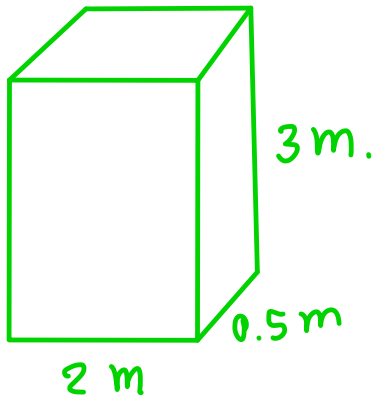
0.5 litre

Relation between length and volume



Find volume in unit of mm^3

Relation between length and volume



Find the volume in unit of cm^3 and litre.

Note : convert between length and volume

Example

Convert to cm^3




1) 2 m^3

2) $800,000 \text{ mm}^3$

Example

Shown below are three containers of water.
The amount of water in each is shown.

List the containers in order, from greatest
to least.

| | | |
|---|---|---|
| A | B | C |
|  |  |  |
| 90cm ³ | 170ml | 0.2 litres |